



Skimmer
Suits

Jacket & Camera Jacket

Paid in Full

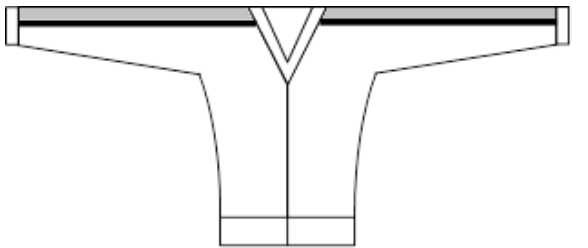
Name _____ Phone _____ E-MAIL _____
 Address _____ City _____ State _____ Zip _____
 Height _____ Weight _____ Date _____

Take shoulder measurements from the point where the shoulder starts to curve downward toward the arm. Take the measurements with your arms at your sides.

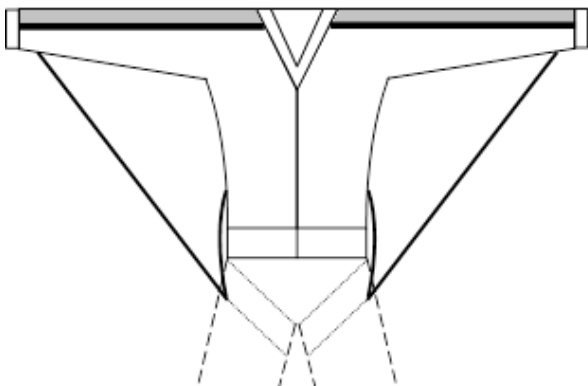
- _____ A. Neck
- _____ B. Shoulder to shoulder (across the back)
- _____ C. Shoulder to wrist (measure just past bump in wrist)
- _____ D. Shoulder to elbow
- _____ E. Bicep (flexed)
- _____ F. Forearm
- _____ G. Wrist
- _____ H. Chest (over nipples)
- _____ I. Waist (over belly button)
- _____ J. Low waist (where the waistband of your pants sit)
- _____ K. Indentation at throat to low waist
- _____ L. Back of neck to low waist

Additional measurements for camera jacket. Take these wearing your rig.

- _____ M. Armpit to top of lateral (with arm held straight out)
- _____ N. Top of lateral to leg strap hardware



Side view of sleeve



Color Choices

Jacket Body & Sleeves _____

Center Sleeve Stripe _____

Trim Tape on Sleeve _____

Collar, Cuffs & Waistband _____
 Spandex Supplex wrist cuffs

Wing Front _____

Wing Back _____

Trim Tape on Wing _____

Tye Dye Center Sleeve Stripe \$30

Tye dye Wings & Sleeve Stripe \$60
 1st color _____ 2nd Color _____

Tye Dye Jacket Body & Sleeves \$80
 1st Color _____ 2nd Color _____

Standard Jacket \$190

Standard jacket is constructed of a single layer of 3ply supplex, wide spandex waistband, a 3 1/2" supplex arm stripe with nylon trim tape for accent, spandex or supplex with Velcro wrist cuff, Velcro neck closure, inside chest pocket, and velcro neck closure.

Standard Camera Jacket \$230

Same features as the standard jacket. The wing is constructed of 2 layers of 3ply supplex with a single layer of ZP in between with nylon binding tape reinforced outside edge and seams. Wing attaches around leg strap with 5/8" slide release buckles, loops inside sleeve at end of wing to attach swoop loops, and Velcro neck closure.

Options

Mesh Lining \$40

Magnet Neck Closure \$20

Double Fabric Arms \$20

1" Soft Grippers \$20

Color Choice _____

For Standard Jacket

Extra Inside Pocket \$15

R.S.L. release \$40

Replaces Buckles on Camera Jacket

When your order form is
completed mail form and check
for full payment to:
Skimmer Suits
17455 Halifax Path
Lakeville, MN 55044

Jacket _____
Options _____
Discount _____
Shipping _____
Subtotal _____
Tax _____
Total _____

Check if
MN Resident
Sales tax is 7.125%

Comments